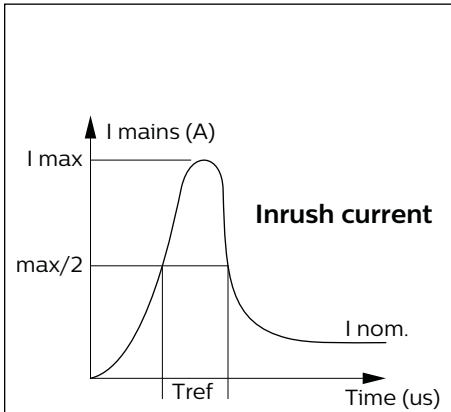
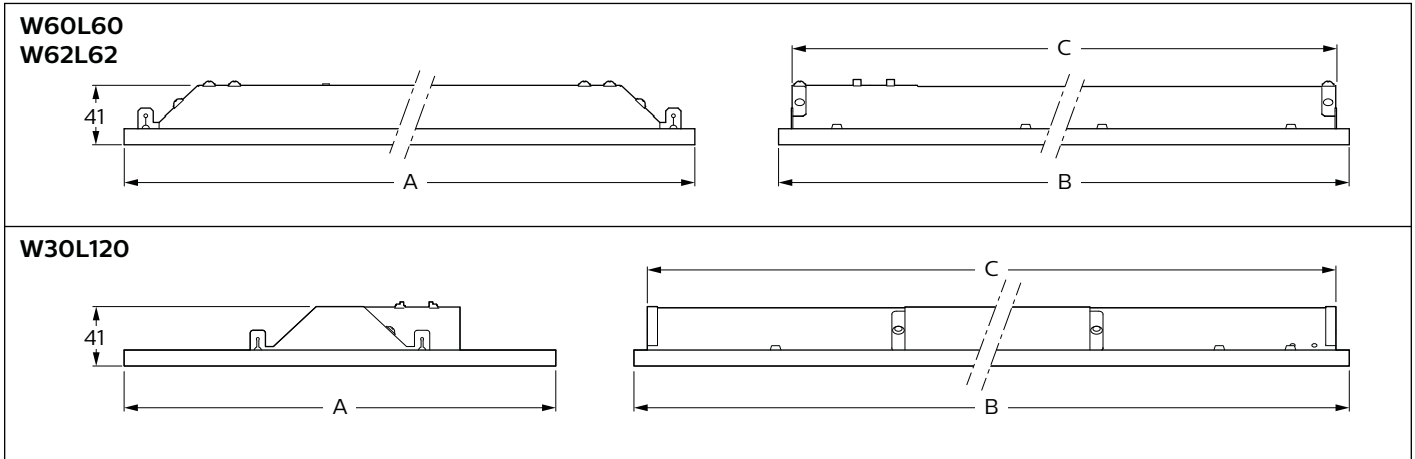


LEDINAIRE RC060B Recessed



	System lumen	CCT	Driver	P(W)	Dimensions in mm			
					A	B	C	
LEDINAIRE RC060B LED34S/840 PSU W60L60	3400lm	4000K	PSU	40	597	597	579	2,76
LEDINAIRE RC060B LED34S/830 PSU W60L60	3400lm	3000K	PSU	40	597	597	579	2,76
LEDINAIRE RC062B LED34S/840 PSU W62L62	3400lm	4000K	PSU	40	622	622	579	2,96
LEDINAIRE RC060B LED34S/840 PSU W30L120	3400lm	4000K	PSU	40	297	1197	1179	2,50
LEDINAIRE RC060B LED34S/830 PSU W30L120	3400lm	3000K	PSU	40	297	1197	1179	2,50

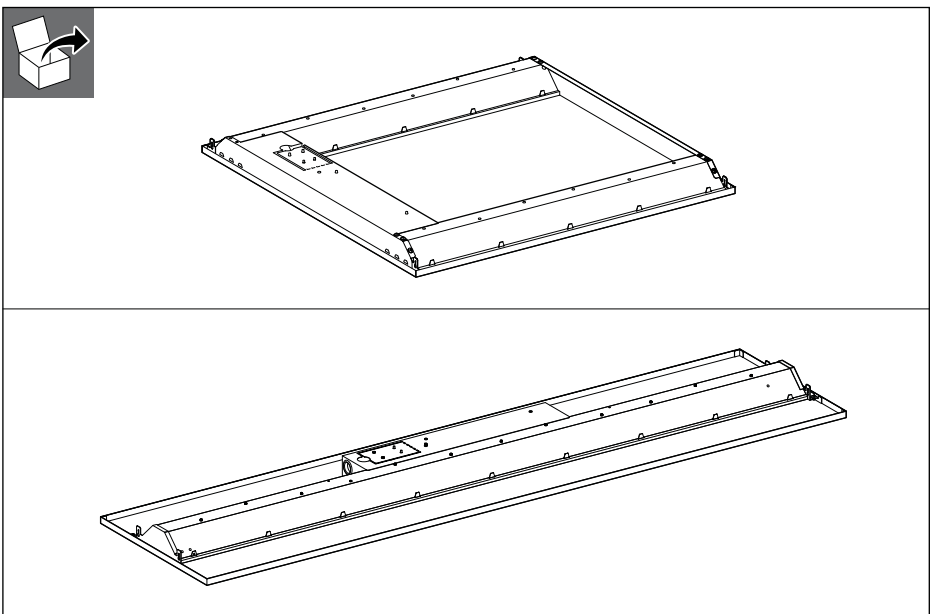


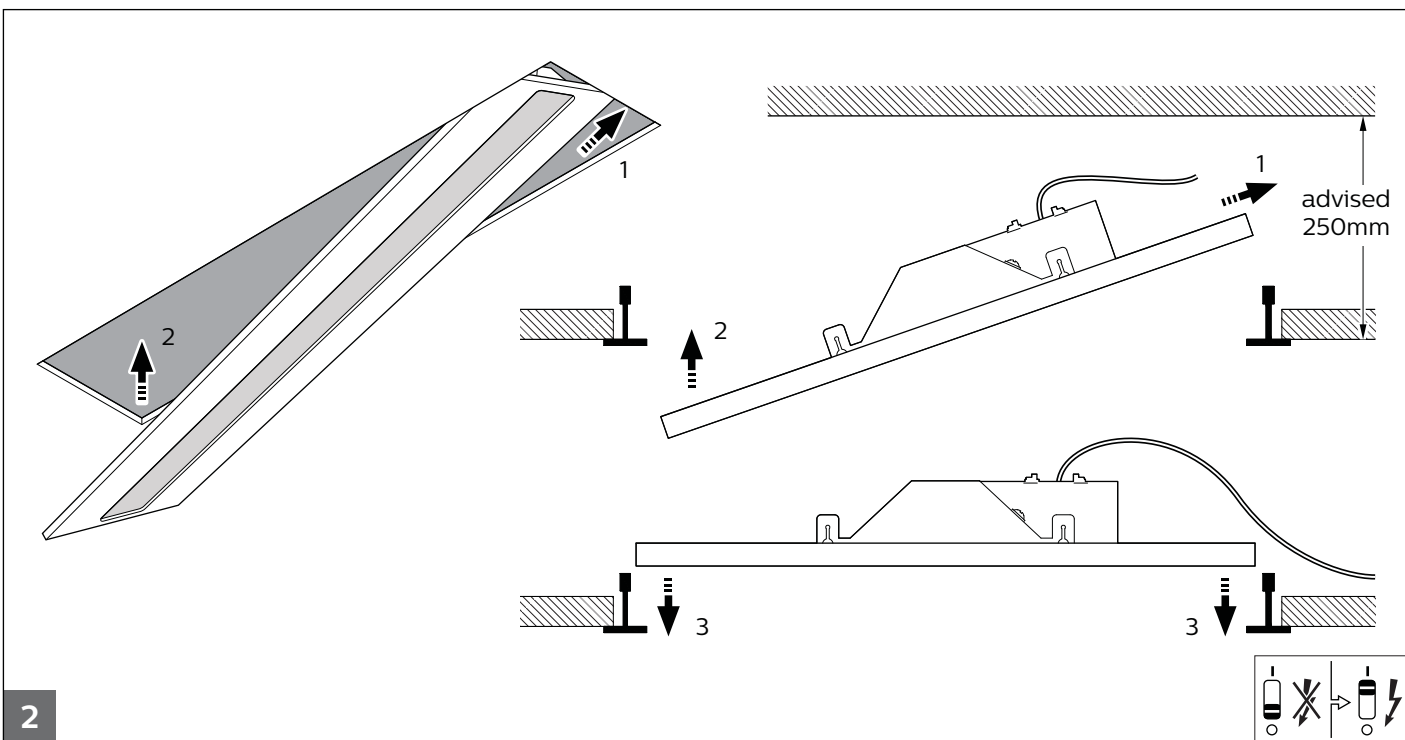
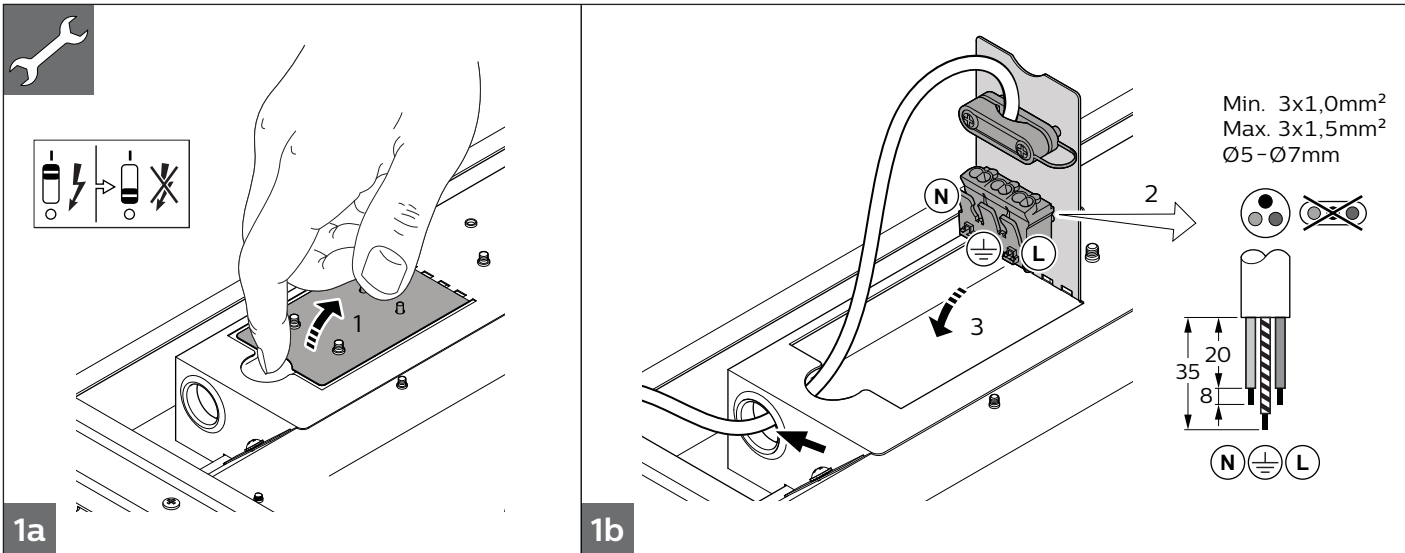
	LED34S
Electrical characteristics	
Inom(mA)	240
I max.(A)	5,3
Tref(μs)	70
MCB	Luminares Max.
B-10A	15
B-16A	24
C-10A	24
C-16A	40

- The luminaire shall be installed by a qualified electrician and wired in accordance with the latest IEE electrical regulations or the national requirements.

- LED board & led driver are not serviceable and replaceable.

ATTENTION
OBSERVE PRECAUTIONS FOR HANDLING ELECTROSTATIC SENSITIVE DEVICES





2
add safety cable if required

